

Technical Data Sheet

Hallett 1000R

www.uvpure.com

Reuse & Rainwater Applications



Model Validation protocol

Hallett 1000R
US EPA UVDGM/NWRI

Operating Range

Flow (single unit)*	Up to 75 US gpm (284 Lpm)
UV dose	50 - 150 mJ/cm ²
UV Transmittance [UVT] (water)	55 - 90% UVT for North America 35 - 90% UVT for Australia
Hardness (water)	Maximum 855 mg/L (50 gpg)
Iron (water)	Maximum 3 mg/L (3 ppm)
Temperature (air and water)	34 - 104°F (1 - 40°C)
Water pressure	5 - 100 psig (34 - 690 kPa)
Relative humidity (air)	Maximum 70%

Features

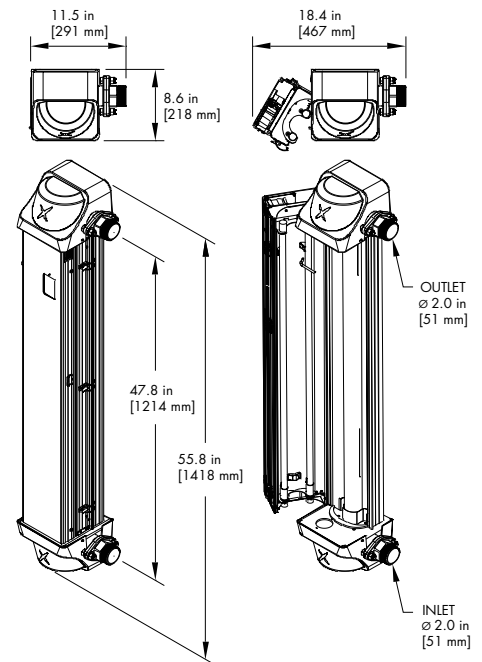
Quartz sleeve cleaning	Built-in - automatic mechanical wiper
Wiper position switch	Built-in
Purge valve	Built-in
Cooling	Built-in - forced air
Flow restrictor	Optional - external
Shut-off valve	Optional - automatic solenoid

Electrical/Instrumentation

Voltage	120 V AC, 50/60 Hz
Power consumption (nominal)	403 W
Certifications	UL 979
UV lamps	Dual amalgam - air mounted
Lamp life (typical)	12,000 hours
Lamp cycles (recommended)	Maximum 6 to 12 cycling per 24 hours
Sensors	Quad UV - calibrated to NIST standards
Dry contacts	Built-in - 2 provided (warning and alarm)
Interface	Colour LCD resistive touchscreen display
Alarming	Indicator light and audible alarms
Remote start/stop	Built-in
Onboard diagnostics	Built-in
4-20mA Output & Modbus	Optional

Physical

Dimensions (H x W x D)	55.8 x 11.5 x 8.6 in (1418 x 291 x 218 mm)
Weight (dry)	52 lbs (23.5 kg)
Weight (wet)	58.3 lbs (26.4 kg)
Wetted parts	Meets NSF/ANSI 61 & NSF/ANSI 372
Body materials	Anodized aluminum and 316 Stainless Steel
Body configuration	Double door with side hinges
Inlet/outlet ports	2" MNPT Stainless Steel, optional - Stainless Steel hose
Ingress Protection rating	IP 51, optional - IP 66 for NEMA cabinet systems
Multiple units	Multiplex manifold and cabinets available
Warranty	5-year limited warranty for structural, hardware and mechanical components; 3-year limited warranty on electrical components and quartz sleeves; 16-month limited warranty on bulbs; and 1-year limited warranty on sensor probes



Contact a UV Pure representative to confirm product operating parameters for specific applications.

info@uvpure.com

*Maximum flow for single unit is 100 gpm (378 L/min). Multiplex manifold and cabinet systems available for flows up to 1 MGD (3,800 m³/day).